

P8 PWM PST CO



Pressure-optimised 80 mm Fan with PWM PST for Continuous Operation



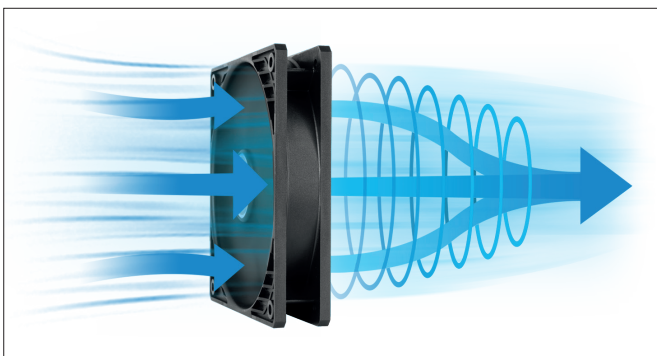
- Optimised for static pressure
- Ideal choice on heatsinks, radiators and (partly-) covered case vents
- Newly developed, very quiet motor
- Wide RPM range
- Extended life span
- High Quality Bearing
- PWM Sharing Technology (PST) regulates fan speed synchronously
- Push- or pull-configuration



The P8 PWM PST CO is a 80 mm fan with PWM PST connectors. It features completely redesigned fan blades and is optimised for high static pressure. Thanks to this, it is especially effective when used on heatsinks and in situations with higher air resistance. With its Japanese dual ball bearing, the P8 PWM PST CO is optimised for continuous operation. The wide RPM range from 200 to 3.000 RPM can be regulated seamlessly and synchronously with other fans thanks to ARCTIC's PWM Sharing Technology (PST). The newly developed motor with a low coil temperature significantly increases the life span of the fan. Therefore we have extended the warranty to 10 years.

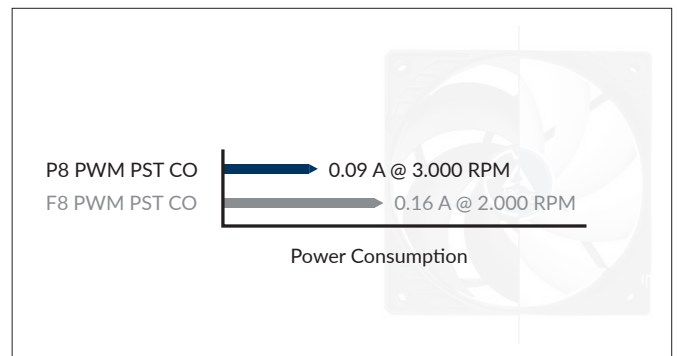
Specifications

Fan	80 mm, 3.000 RPM
Airflow	23.4 CFM/40.3 m ³ /h (@ 3.000 RPM)
Static Pressure	1.9 mm H ₂ O (@ 3.000 RPM)
Noise Level	0.3 Sone (@ 3.000 RPM)
Bearing	Dual Ball Bearing
Current/Voltage	0.09 A/+12 V DC
Connector	4-pin Connector + 4-pin Socket
Dimensions	80 (L) x 80 (W) x 25 (H) mm
Weight	78.5 g



Optimised for Static Pressure

During the development of the new P8 PWM PST CO, special emphasis was placed on a focused airstream and thus a high static pressure. The fan guarantees extremely efficient cooling, even with increased air resistance. Therefore, the P8 PWM PST CO is particularly suitable for use on heatsinks and radiators.



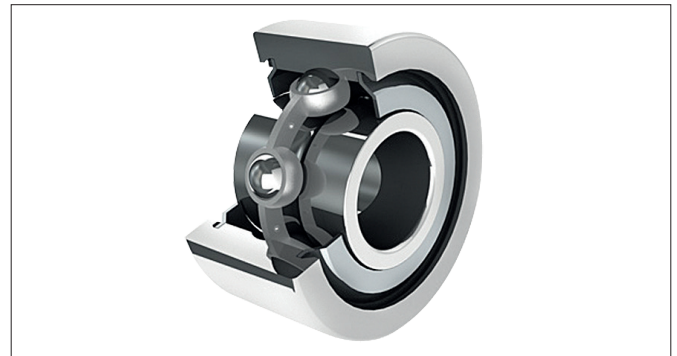
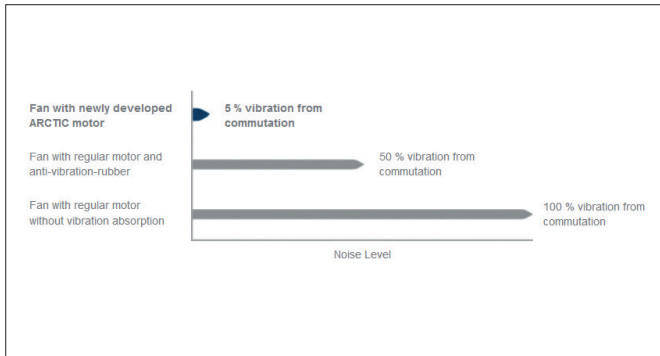
More Efficient Technology

The motor is powered by a Neodym-Iron-Boron-Magnet ring of the newest generation, which allows the new P8 PWM PST CO to run much more efficiently than its predecessors. This saves energy and lowers the coil temperature without compromising the performance.

P8 PWM PST CO



Pressure-optimised 80 mm Fan with PWM PST for Continuous Operation



Maximum Quietness, Minimum Vibration

Even at low speeds the operating sound of the new ARCTIC motor is barely noticeable.

Due to a sinus-magnetizing the new motor only creates about 5% of the vibration from commutation of a regular DC-motor without filter.

Consequently, there is no need for rubber spacers due to the steady and smooth torque of the new motor.

For Continuous Operation

The premium quality Japanese dual ball bearing allows continuous operation 24/7 without the slightest compromise in performance.

Dust and high temperature are affecting this bearing a lot less than generic sleeve or one ball bearings and thus make it the perfect choice when reliability is essential.

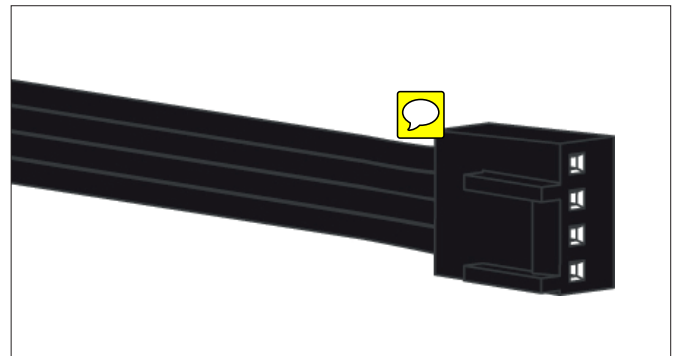


Extended Life Span

A lower motor temperature ensures a long service life of a fan.

The new ARCTIC motor has a lower coil temperature than its predecessors and most competitors.

Consequently, we have extended the warranty to 10 years.



200 to 3.000 RPM regulated via PWM PST

With a wide range of regulation and the PWM Sharing Technology (PST), the P8 PWM PST CO fan speed can be controlled synchronously with all your other fans together.

This keeps noise at a minimum while guaranteeing maximum cooling performance when needed.



Product Information



Manual